

# 70CH Tandem Axle Car Hauler

<b>G.V.W.R.</b>	7,000#	<b>Axle</b>	(2) 3,500# EZ Lube w/ (1) Elec. Brake
<b>G.A.W.R. (Ea. Axle)</b>	3,500#	<b>Supension</b>	Multi-Leaf Spring w/ Equalizer
<b>Coupler</b>	7,000#, 2" Forged Coupler	<b>Tire</b>	ST205/75R-15 Load Range C
<b>Safety Chains</b>	1/4" Grd. 70 w/Safety Latch Hook(2 ea)	<b>Wheel</b>	15" x 5"; White Spoke 5 on 5 Bolt Pattern
<b>Jack</b>	2,000# Top Wind (Bolted On)	<b>Floor</b>	2" Treated Pine or Douglas Fir*
<b>Tongue</b>	4" Channel Fold Back/Wrap Tongue	<b>Lights</b>	L.E.D. D.O.T. Stop, Tail, Turn & Clearance
<b>Bump Rail</b>	Single-Piece Formed 2" Tubing	<b>Elec. Plug</b>	7-Way RV
<b>Frame</b>	5" x 3" x 5/16" Angle	<b>Finish (Prep)</b>	Steel is Cleaned to Ensure a Professional Smooth Finish.
<b>Crossmembers</b>	3" x 2" x 3/16" Angle		
<b>Uprights</b>	None	<b>Finish</b>	Superior Quality Finish is Applied for a Highly Decorative and Protective Finish.
<b>Fenders</b>	9" x 72" Tear Drop w/ Back (Bolted On)		

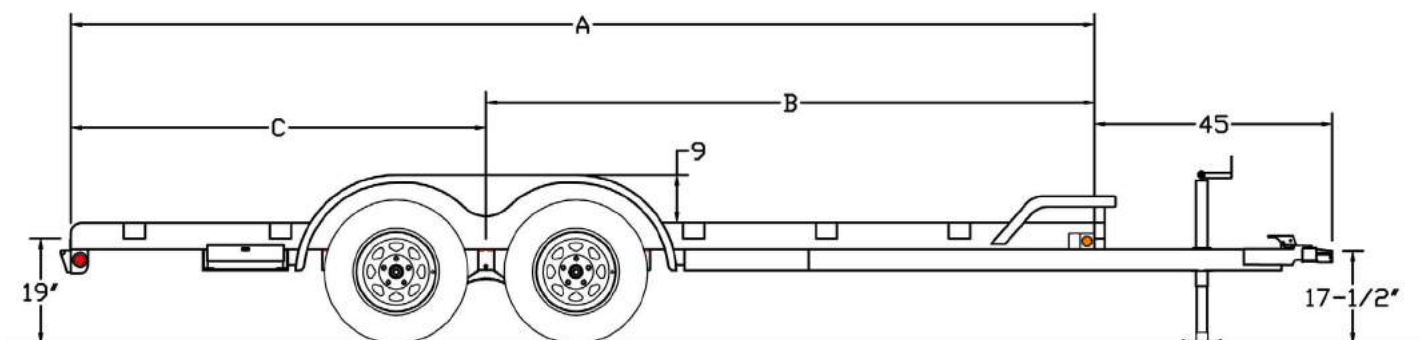
\* Douglas Fir Available from Caldwell, ID Facility Only

## Standard Features

- Tie Down Pockets Along Sides & Front
- Forged, 7,000# Coupler
- Fold Back/Wrap Tongue (14' & Longer)
- Set-Back Jack
- EZ Lube Hubs
- Dexter Brand Axles
- Nev-R-Adjust Electric Brakes
- Cambered Axles
- 2" Formed Front Stop Rail
- Removable Tear Drop Style Fenders
- Grommet Mount Sealed Lighting
- L.E.D. Lighting Package
- Protected Wiring
- Removable Sand Foot on Jack
- Complete Break-A-Way System w/Charger
- Radial Tires **NEW!**

## Description

Dimensions			
Length	A	B	C
12'	145-1/2"	85"	60-1/2"
14'	169-1/2"	103"	66-1/2"
16'	193-1/2"	115"	78-1/2"
18'	217-1/2"	127"	90-1/2"
20'	240"	138"	102"



# 70CH Tandem Axle Car Hauler ●



Shown with optional slide-in ramps and spare tire mount

◆ Model	Weight*	Description
70CH-12	1,460#	83" x 12' Tandem Axle Car Hauler
70CH-14	1,610#	83" x 14' Tandem Axle Car Hauler
70CH-16	1,760#	83" x 16' Tandem Axle Car Hauler
70CH-18	1,910#	83" x 18' Tandem Axle Car Hauler
70CH-20	2,060#	83" x 20' Tandem Axle Car Hauler

\*Weights shown are for base models without options and are estimates only

## Optional Equipment

Category	Description
COUPLERS	2-5/16" Stamped Coupler
COUPLERS	2-5/16" Forged Coupler
JACKS	2,000# Fold-Up Jack
JACKS	7,000# Drop-Leg Jack
BRAKES	Electric Brakes on 2nd Axle
BRAKES	Hydraulic Surge Brakes 1 Axle w/Balcrank Actuator
BRAKES	Hydraulic Surge Brakes 2 Axles w/ Balcrank Actuator
TIRE/WHEEL	Spare Tire Mount (Side)
TIRE/WHEEL	Spare Tire (ST205/75R-15 LR-C)
TIRE/WHEEL	Tire Upgrade (ST225/75R-15 LR-D)
TIRE/WHEEL	Spare Tire Upgrade (ST225/75R-15 LR-D)
RAMPS	4' Slide-In Angle Ramps
BODY	Dovetail in Existing Length (16', 18', 20' Only)
BODY	Raised Car Hauler Floor (Wood Flush w/ Frame)
BODY	1/8" Diamond Plate Steel Floor (Per Square Foot)
CARGO CONTROL	Additional Tie Down Pockets (Each)