

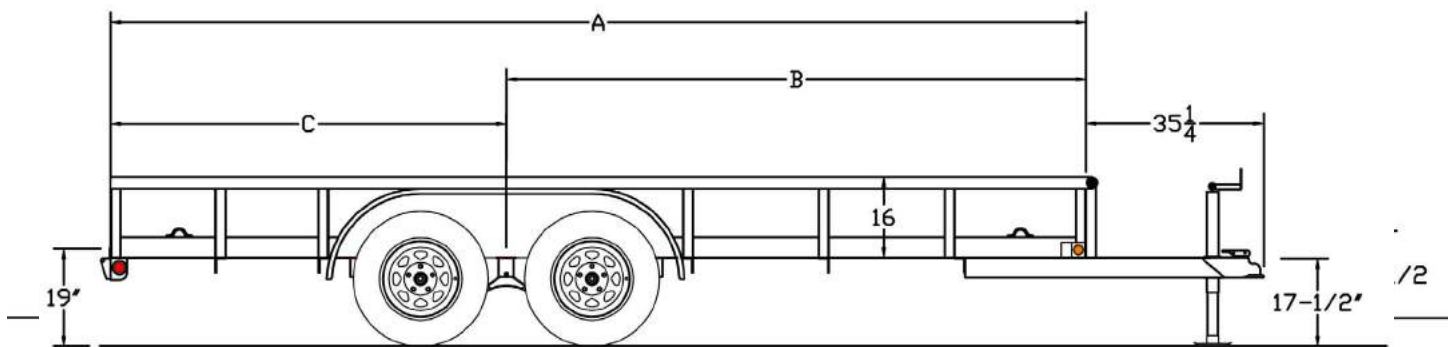
G.V.W.R.	6,000#	Axle	Two 3,500# EZ Lube w/1 Elec. Brake
G.A.W.R. (Ea. Axle)	3,500#	Supension	Multi-Leaf Spring w/Equalizer
Coupler	2" A-Frame	Tire	ST205/75-15 Load Range C
Safety Chains	1/4" Grd. 70 w/Safety Latch Hook (2 ea)	Wheel	15" x 5"; White Spoke 5 on 5 Bolt Pattern
Jack	2K Top Wind (Bolted On)	Floor	2" Pine
Tongue	4" Channel A-Frame	Lights	D.O.T. Stop, Tail, Turn & Clearance
Top Rail	2-3/8" Pipe Square Back	Elec. Plug	7-Way RV
Frame	4" x 3" x 1/4" Angle	Finish (Prep)	Steel is Cleaned to Ensure a Professional Smooth Finish.
Crossmembers	3" x 2" x 3/16" Angle		
Sides	16" Tall 3" x 2" x 3/16" Angle	Finish	Superior Quality Finish is Applied for a Highly Decorative and Protective Finish.
Fenders	9" x 72" Rolled Formed w/Back		

Standard Features

- (4) Tie Down Loops Inside Bed
- EZ Lube Hubs
- Dexter Brand Axles
- Nev-R-Adjust Electric Brakes
- Cambered Axles
- 2-3/8" Pipe Top Rail
- Grommet Mount Sealed Lighting
- Protected Wiring
- Removable Sand Foot on Jack
- Complete Break-A-Way System w/Charger
- Radial Tires **NEW!**

Description

Dimensions			
Length	A	B	C
12'	145-1/2"	85"	60-1/2"
14'	169-1/2"	103"	72-1/2"
16'	193-1/2"	115"	78-1/2"



60SP Tandem Axle Pipe Special ●



Shown with optional slide-in ramps and spare tire mount

◆ Model	Weight*	Description
60SP-12	1,340#	77" x 12' Economy Tandem Axle Pipe Top Utility Trailer
60SP-14	1,500#	77" x 14' Economy Tandem Axle Pipe Top Utility Trailer
60SP-16	1,650#	77" x 16' Economy Tandem Axle Pipe Top Utility Trailer

*Weights shown are for base models without options and are estimates only

Optional Equipment

Category	Description
COUPLERS	2-5/16" Stamped Coupler
BRAKES	Electric Brakes on 2nd Axle
TIRE/WHEEL	Spare Tire Mount (Side)
TIRE/WHEEL	Spare Tire (ST205/75R-15 LR-C)
RAMPS	4' Tall Rear Rampgate
RAMPS	4' Slide-In Angle Ramps

Economy Style Model - Limited Options, Black Only