

# 505R Single Axle Single Ram Dump

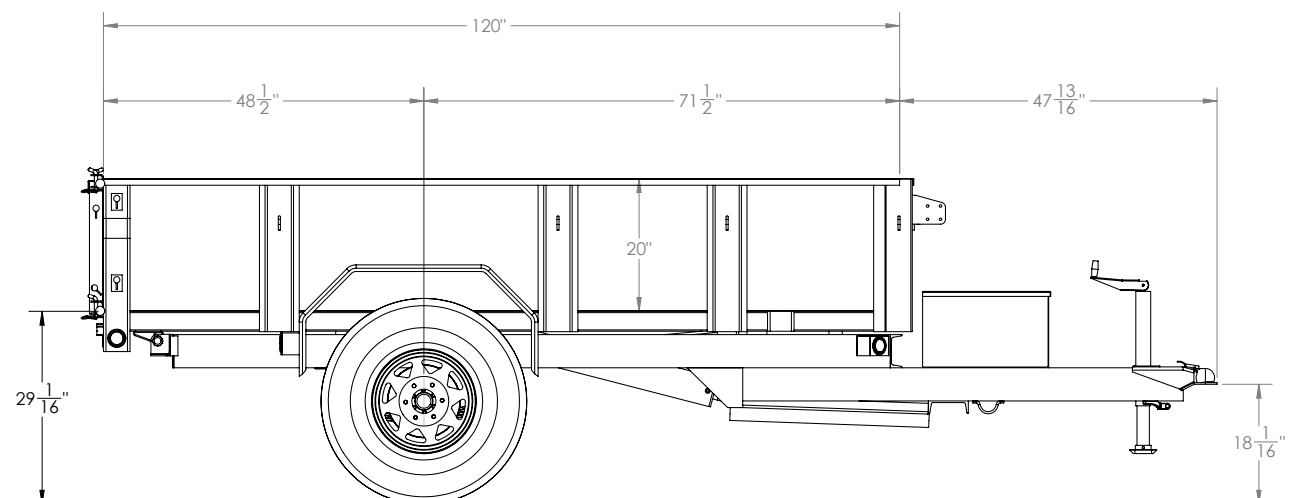
<b>G.V.W.R.</b>	5,000#	<b>Axles</b>	(1) 5,200# EZ Lube w/Elec. Brakes
<b>G.A.W.R. (Ea. Axle)</b>	5,080#	<b>Supension</b>	Multi-Leaf Spring w/Equalizer
<b>Coupler</b>	2-5/16" Stamped A-Frame	<b>Tire</b>	ST235/80 R-16 Load Range E
<b>Safety Chains</b>	1/4" Grd. 70 w/Safety Latch Hook (2 each)	<b>Wheel</b>	16" x 6"; White Spoke 6 Bolt
<b>Jack</b>	2,000# Top Wind (Bolted On)	<b>Floor</b>	16 Gauge Smooth Steel
<b>Tongue</b>	5" Channel	<b>Lights</b>	L.E.D. D.O.T. Stop, Tail, Turn & Clearance
<b>Frame</b>	5" Channel	<b>Elec. Plug</b>	7-Way RV
<b>Crossmembers</b>	6" Channel	<b>Finish (Prep)</b>	Steel is Cleaned to Ensure a Professional Smooth Finish.
<b>Bed Crossmembers</b>	2" Channel		
<b>Bed Side Rails</b>	3" x 2" Tubing	<b>Finish</b>	Superior Quality Finish is Applied for a Highly Decorative and Protective Finish.
<b>Fenders</b>	9" x 32" Double Square Broke Diamond Plate		

## Standard Features

- Lockable Pump & Battery Box Mounted in Front of Bed
- 20", 16 Ga. Sides w/Formed Channel Supports
- J-Hooks for Tie Down
- Tarp Brackets
- Single Cylinder Lift
- 45 Degree Dump Angle
- Rear Spreader Gate
- EZ Lube Hubs
- Dexter Brand Axles
- Nev-R-Adjust Electric Brakes
- Cambered Axles
- Diamond Plate Fenders
- Grommet Mount Sealed Lighting
- L.E.D. Lighting Package
- Protected Wiring
- Removable Sand Foot on Jack
- Complete Break-A-Way System w/Charger
- Radial Tires **NEW!**

## Description

Weights & Capacities			
Length	Empty Weight	Payload	Box Capacity
10'-5W	1,680#	3,320#	3.0 Cubic Yards



\*Weights and cargo capacities shown are for base models without options and are estimates only

# 50SR Single Axle Single Ram Dump ●



Model	Weight*	Description
50SR-10-5W	1,680#	60" x 10' Single Axle Single Ram Dump

\*Weights shown are for base models without options and are estimates only

## Optional Equipment

Category	Description
TIRE/WHEEL	Spare Tire (ST235/80 R-16 LR-E)
BODY	Double Rear Doors in Lieu of Spreader Gate
CARGO CONTROL	Crank Style Roll Tarp

**Economy Style Model - Limited Options, Black Only**