

30AA/35AA Single Axle All-Around Trailer

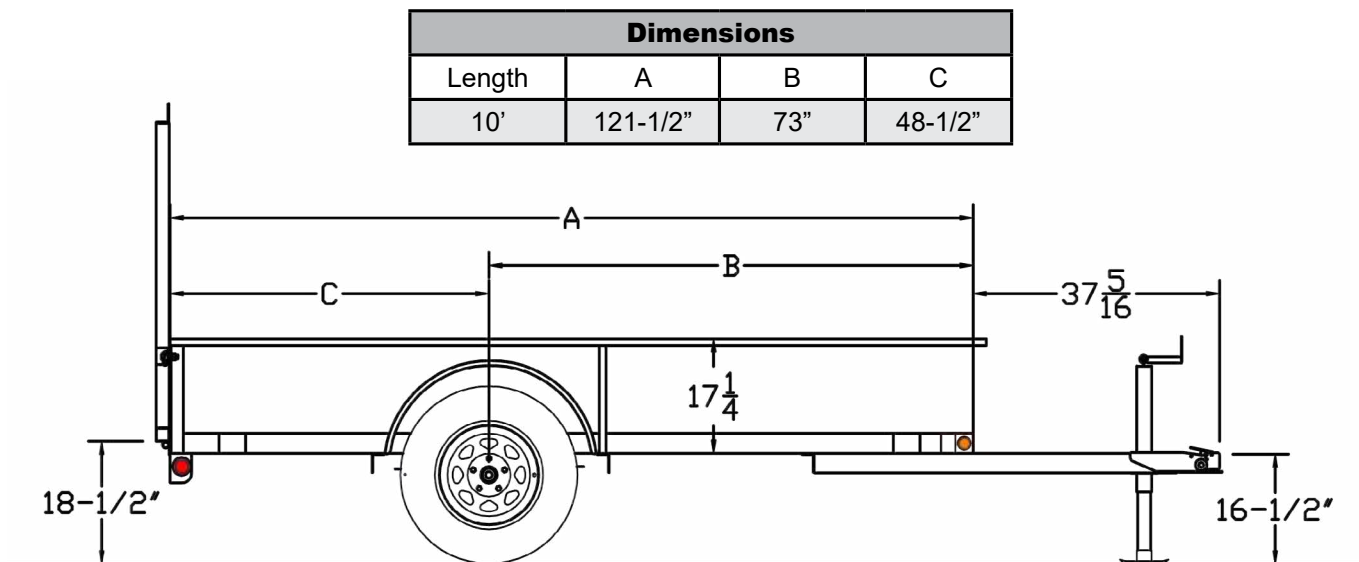
G.V.W.R.	2,995#	Axle	3,500# EZ Lube Axle w/ Brake Flanges
G.A.W.R. (Ea. Axle)	2,995#	Supension	Multi-Leaf Spring
Coupler	2" A-Frame	Tire	ST205/75R-15 Load Range C
Safety Chains	1/4" Grd. 30 w/ Safety Latch Hook (2 ea)	Wheel	15" x 5; White Spoke, 5 on 5 Bolt Pattern
Jack	2,000# Top Wind (Bolted On)	Floor	2" Treated Pine or Douglas Fir*
Tongue	3" Channel	Lights	L.E.D. D.O.T. Stop, Tail, Turn & Clearance
Sides	14" Solid Formed (14 Ga.) Side Panels w/ 2" Lip	Elec. Plug	4-Way Flat w/ Loom
Frame	3" x 2" x 3/16" Angle	Finish (Prep)	Steel is Cleaned to Ensure a Professional, Smooth Finish
Crossmembers	3" x 2" x 3/16" Angle	Finish	Superior Quality Finish is Applied for a Highly Decorative and Protective Finish
Uprights	3" x 2" x 3/16" Angle		
Fenders	9" x 32" Rolled Formed w/ Back		

* Douglas Fir Available from Caldwell, ID Facility Only

Standard Features

- (4) Tie Down Loops Inside Bed
- EZ Lube Hubs
- Dexter Brand Axle
- 14" Solid Formed Steel Side & Front Panels
- Grommet Mount Sealed Lighting
- L.E.D. Lighting Package
- Protected Wiring
- Lower Support Jack Plate
- Radial Tires **NEW!**
- Brake Flanges on Axle for Easy Brake Addition
- Removable Sand Foot on Jack
- A-Frame Channel Tongue
- (4) Tie Down Pockets on Outside of Frame

Description



*Shown with optional rampgate.

30AA/35AA Single Axle All-Around Trailer ●



Shown with optional rampgate and spare tire mount.

◆ Model	Weight*	Description
30AA-10	840#	60" x 10' Single Axle "All-Around" Utility Trailer
35AA-10	940#	77" x 10' Single Axle "All-Around" Utility Trailer

*Weights shown are for base models without options and are estimates only

Optional Equipment

Category	Description
COUPLERS	2" Forged Coupler
BRAKES	Electric Brakes w/ Complete Brake-Away Kit
JACKS	2,000# Fold-Up Jack
JACKS	Set Back Jack
TIRE/WHEEL	Spare Tire Mount (Side)
TIRE/WHEEL	Spare Tire & Wheel (ST205/75R-15 LR-C)
RAMPS	4' Tall Rear Rampgate for 30AA
RAMPS	4' Tall Rear Rampgate for 35AA
RAMPS	5' Tall Rear Rampgate for 30AA
RAMPS	5' Tall Rear Rampgate for 35AA
RAMPS	Gas Shock Assist Option for Rampgate
CARGO CONTROL	Additional Tie Down Pockets (Each)
CARGO CONTROL	Additional Tie Loops (Each)