

<b>G.V.W.R.</b>	25,900#	<b>Axle</b>	(2) 12,000# Dual Wheel w/ Electric Brakes (Oil Bath)
<b>G.A.W.R. (Ea. Axle)</b>	12,000#	<b>Suspension</b>	Heavy Duty 30,000# Adjustable
<b>Coupler</b>	2-5/16" Ball Adj. Square Crank Type	<b>Tire</b>	ST235/80 R-16 Load Range E Dual
<b>Safety Chains</b>	3/8" Grd. 70 w/Safety Latch Hook (2 each)	<b>Wheel</b>	16" x 6"; Dual Wheel 8 Bolt
<b>Jack</b>	Dual Two Speed Landing Gear (Bolted On)	<b>Floor</b>	2" Treated Pine or Douglas Fir*
<b>Neck</b>	12" I-Beam, 19#	<b>Lights</b>	L.E.D. D.O.T. Stop, Tail, Turn & Clearance
<b>Top Rail</b>	None	<b>Elec. Plug</b>	7-Way RV
<b>Frame</b>	12" I-Beam, 19#	<b>Finish (Prep)</b>	Steel is Cleaned to Ensure a Professional Smooth Finish.
<b>Crossmembers</b>	3" Channel	<b>FINISH</b>	Superior Quality Finish is Applied for a Highly Decorative and Protective Finish.
<b>Side Rail</b>	8" Channel w/Rub Rail, Tie Down Pockets on 24" Centers, and Chain Spools		

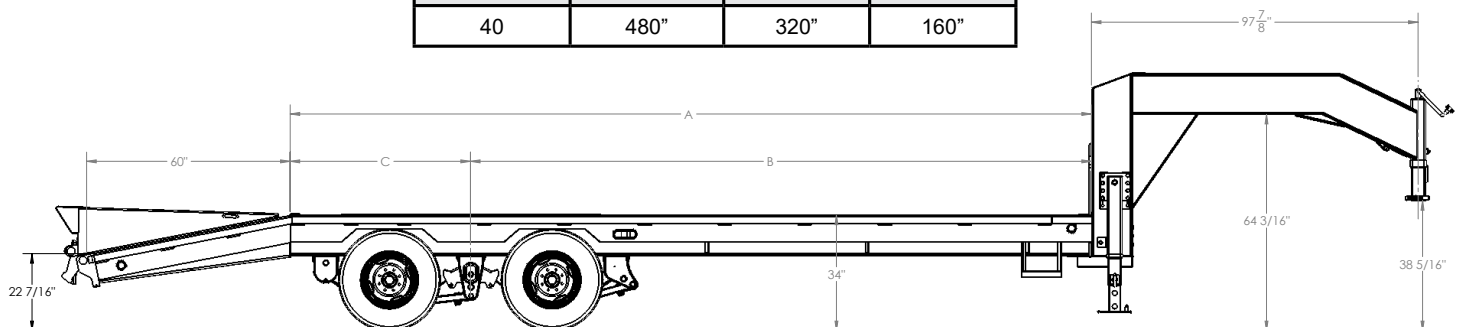
\* Douglas Fir Available from Caldwell, ID Facility Only

## Standard Features

- 2-5/16" Ball Adjustable Coupler- Square Crank Type
- Dual Two Speed Landing Gear 50K Capacity (Bolted On)
- 102" Overall Width
- Low Profile Bed, Pierced- Beam Frame
- Lockable Toolbox Between GN Uprights
- (2) Side Bed Steps & Handles
- 3/8" Heavy Duty Rub Rail
- Tie Down Pockets Along Sides, 24" On Center
- 1-1/4" Pipe Chain Spools Between Tie Down Pockets
- Dexter Brand Axles
- Oil Bath Hubs
- Forward Self Adjusting Brakes
- Heavy Duty 30,000# Adjustable Suspension by Dexter Axle
- Torque Tube Standard on 28' (Flat Deck) & Longer
- Cambered Axles
- Grommet Mount Sealed Lighting
- L.E.D. Lighting Package
- Modular Sealed Wiring Harness
- Spare Tire Mount (Top of Neck)
- 5' Dovetail w/ 5' Double Hinged Spring Assist Flip-Over Ramps
- Complete Break-A-Way System w/Charger
- Radial Tires
- Mudflaps
- Spare Tire & Wheel- Standard Equipped **NEW!**

## Description

Dimensions			
Length	A	B	C
20 + 5	240"	186"	54"
25 + 5	300"	240"	60"
28 + 5	336"	264"	72"
30 + 5	360"	280"	80"
32 + 5	384"	296"	88"
35 + 5	420"	320"	100"
36	432"	288"	144"
40	480"	320"	160"



# 25GN Heavy Duty Tandem Dual Gooseneck ●



Model	Weight*	Description
25GN-20+5	6,500#	102" x 20' + 5' Tandem Dual Wheel Gooseneck
25GN-25+5	7,250#	102" x 25' + 5' Tandem Dual Wheel Gooseneck
25GN-28+5	7,850#	102" x 28' + 5' Tandem Dual Wheel Gooseneck
25GN-30+5	8,630#	102" x 30' + 5' Tandem Dual Wheel Gooseneck
25GN-32+5	8,450#	102" x 32' + 5' Tandem Dual Wheel Gooseneck
25GN-35+5	8,900#	102" x 35' + 5' Tandem Dual Wheel Gooseneck
25GN-36	8,150#	102" x 36' Tandem Dual Wheel Gooseneck (Straight)
25GN-40	8,750#	102" x 40' Tandem Dual Wheel Gooseneck (Straight)

\*Weights shown are for base models without options and are estimates only

## Optional Equipment

Category	Description
JACKS	Dual Electric Over Hydraulic Jacks
BRAKES	Air Brake Assembly w/ABS on Front, Spring Brake Chambers & Auto Slacks
BRAKES	Electric Over Hydraulic Brakes (Drum)
BRAKES	Electric Over Hydraulic Brakes (Disc)
TIRE/WHEEL	Tire Upgrade (ST235/85 R-16 LR-G Dual)
TIRE/WHEEL	Spare Tire Upgrade (ST235/85 R-16 LR-G Dual)
TIRE/WHEEL	Tire Upgrade (ST215/75 R-17.5 LR-H Dual)
TIRE/WHEEL	Spare Tire Upgrade (ST215/75 R-17.5 LR-H Dual)
RAMPS	(2) 5' MEGA Ramps
RAMPS	5' Center Pop-Up Dovetail w/ (2) 5' Flip-Over Ramps
RAMPS	(3) 5' Flip-Over Ramps w/Diamond Plate on Bottom
RAMPS	No Dovetail Option (Delete's Dovetail & Ramps)
RAMPS	8' Rear Slide-In Ramps (Straight Deck Only)
BODY	Removable Deck on the Neck- Bolt On (8' W x 6' L)
CARGO CONTROL	Low Profile Tool Box 12" x 18" x 36" (Side Mount)
CARGO CONTROL	Sliding Winch Track (Per 6' Section)
CARGO CONTROL	4" Sliding Winch (Each)
CARGO CONTROL	4" Weld-On Winch (Each)
CARGO CONTROL	4" x 30' Strap (Each)
CARGO CONTROL	B 40 5/8" D-Ring (Each)