

<b>G.V.W.R.</b>	20,000#	<b>Axle</b>	(2) 10,000# Dual Wheel Electric Brakes
<b>G.A.W.R. (Ea. Axle)</b>	10,000#	<b>Supension</b>	Multi-Leaf Slipper Spring w/Equalizer
<b>Coupler</b>	2-5/16" Ball Adj. Pipe	<b>Tire</b>	ST235/80 R-16 Load Range E Dual
<b>Safety Chains</b>	3/8" Grd. 70 w/Safety Latch Hook (2 each)	<b>Wheel</b>	16" x 6"; Dual Wheel 8 Bolt
<b>Jack</b>	Single 12,000# Drop Leg Jack (Bolted On)	<b>Floor</b>	2" Treated Pine or Douglas Fir*
<b>Neck</b>	12" I-Beam	<b>Lights</b>	L.E.D. D.O.T. Stop, Tail, Turn & Clearance
<b>Top Rail</b>	None	<b>Elec. Plug</b>	7-Way RV
<b>Frame</b>	12" I-Beam	<b>Finish (Prep)</b>	Steel is Cleaned to Ensure a Professional Smooth Finish.
<b>Crossmembers</b>	3" Channel	<b>FINISH</b>	Superior Quality Finish is Applied for a Highly Decorative and Protective Finish.
<b>Side Rail</b>	5" Channel w/Rub Rail, Stake Pockets on 24" Centers, and Chain Spools		

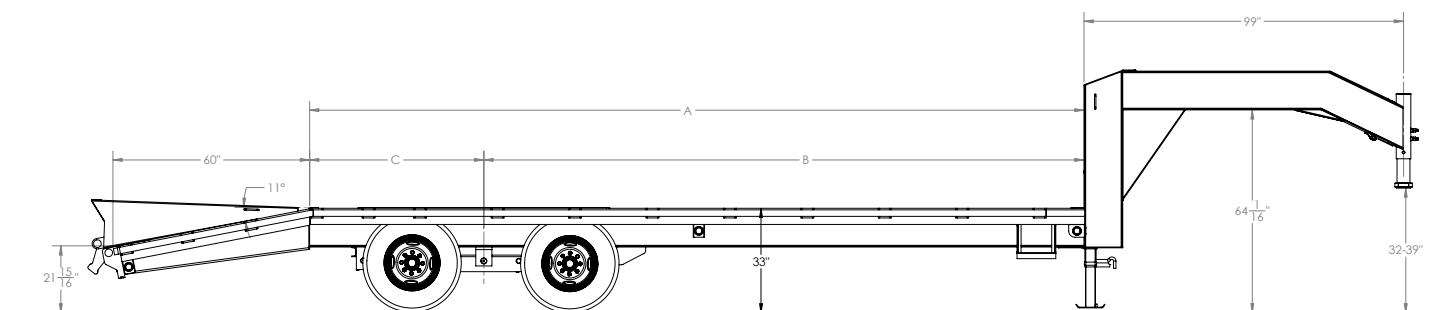
\* Douglas Fir Available from Caldwell, ID Facility Only

## Standard Features

- 2-5/16" Ball Adjustable Pipe Coupler
- 12,000# Drop Leg Jack (Bolted on) w/Greasable Handle
- 102" Overall Width
- Low Profile Bed, Pierced- Beam Frame
- (2) Side Bed Steps & Handles
- 3/8" Heavy Duty Rub Rail
- Tie Down Pockets Along Sides, 24" On Center
- 1-1/4" Pipe Chain Spools Between Tie Down Pockets
- Oil Bath Hubs
- Dexter Brand Axles
- Cambered Axles
- Forward Self Adjusting Brakes
- Grommet Mount Sealed Lighting
- L.E.D. Lighting Package
- Modular Sealed Wiring Harness
- Spare Tire Mount (Top of Neck)
- 5' Dovetail w/5' Double Hinged Flip-Over Ramps
- Complete Break-A-Way System w/Charger
- Radial Tires
- Mudflaps
- Spare Tire & Wheel- Standard Equipped **NEW!**

## Description

Dimensions			
Length	A	B	C
20 + 5	240	186"	54"



# 20GN Economy Tandem Dual Wheel Gooseneck ●



Model	Weight*	Description
20GN-20+5	5,250#	102" x 20' + 5' Economy Tandem Dual Wheel Gooseneck

**Economy Model- No Additional Options Available (Black Only)**

\*Weights shown are for base models without options and are estimates only