

# 14LX Heavy Duty Tandem Axle Extra Wide Dump

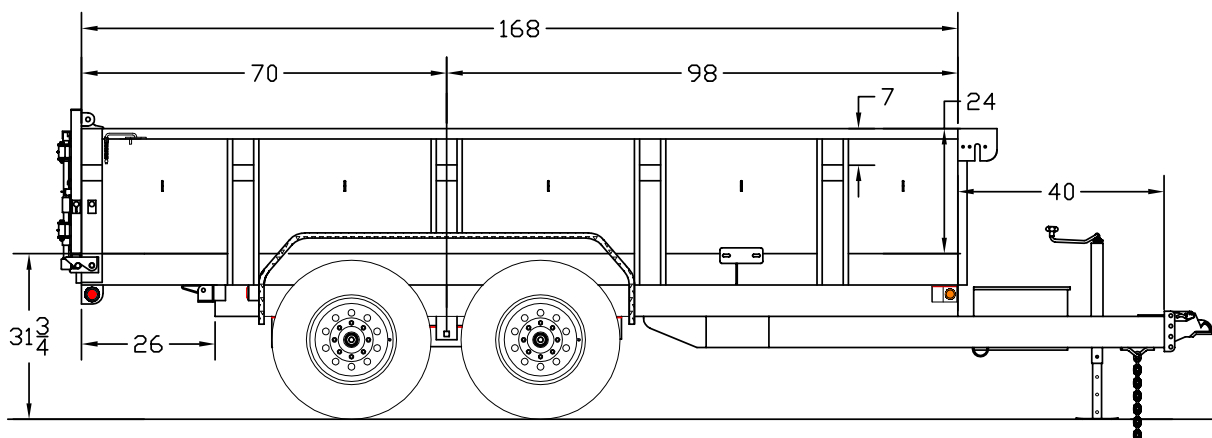
<b>G.V.W.R.</b>	14,000#	<b>Axles</b>	(2) 7,000# EZ Lube w/Elec. Brakes
<b>G.A.W.R. (Ea. Axle)</b>	7,000#	<b>Supension</b>	Multi-Leaf Spring w/Equalizer
<b>Coupler</b>	2-5/16" Adjustable Cast	<b>Tire</b>	ST235/80 R-16 Load Range E
<b>Safety Chains</b>	3/8" Grd. 70 w/Safety Latch Hook (2 each)	<b>Wheel</b>	16" x 6"; HD White Mod 8 Bolt
<b>Jack</b>	7,000# Top Wind Drop Leg (Bolted On)	<b>Floor</b>	10 Gauge Smooth Steel
<b>Tongue</b>	6" Channel Fold Back/Wrap	<b>Lights</b>	L.E.D. D.O.T. Stop, Tail, Turn & Clearance
<b>Frame</b>	6" x 3" Tube on 14' 8" x 3" Tube on 16'	<b>Elec. Plug</b>	7-Way RV
<b>Crossmembers</b>	6" Channel	<b>Finish (Prep)</b>	Steel is Cleaned to Ensure a Professional Smooth Finish.
<b>Bed Crossmembers</b>	3" Channel		
<b>Bed Long Sils</b>	3" Channel	<b>Finish</b>	Superior Quality Finish is Applied for a Highly Decorative and Protective Finish.
<b>Bed Side Rails</b>	6-1/2" Formed Angle		
<b>Fenders</b>	9" x 72" Double Square Broke Diamond Plate		

## Standard Features

- Lockable Pump & Battery Box Mounted in Front of Bed
- J-Hooks for Tie Down
- Fully Formed Shroud for Tarp
- Self Contained Electric/Hydraulic Scissor Hoist
- 45 Degree Dump Angle
- Combo Gate
- 24", 12 Ga. Sides
- 10 Ga. Floor
- Stake Pockets (Sides)
- EZ Lube Hubs
- Dexter Brand Axles
- (4) 5/8" D-Rings Inside Bed
- Nev-R-Adjust Electric Brakes
- Cambered Axles
- Spare Tire Mount
- Diamond Plate Fenders
- Grommet Mount Sealed Lighting
- L.E.D. Lighting Package
- Protected Wiring
- Complete Break-A-Way System w/Charger
- Radial Tires
- 2" Square Tubing Top Rail
- Crank Style Roll Tarp- Standard Equipped
- 110V Charger

## Description

Weights & Capacities			
Length	Empty Weight	Payload	Box Capacity
14LX-14	3,960#	10,040#	7.2 Cubic Yards
14LX-16	4,250#	9,750#	8.3 Cubic Yards



\*Weights and cargo capacities shown are for base models without options and are estimates only

# 14LX Heavy Duty Tandem Axle Extra Wide Dump



Model	Weight*	Description
14LX-14	3,960#	83" x 14' Heavy Duty Tandem Axle Extra Wide Dump
14LX-16	4,250#	83" x 16' Heavy Duty Tandem Axle Extra Wide Dump

\*Weights shown are for base models without options and are estimates only

## Optional Equipment

Category	Description
COUPLER	Adjustable Pintle in Channel ILO Coupler
BRAKES	Hydraulic Surge Brakes on Both Axles
JACKS	12,000# Top Wind Drop Leg Jack
TIRE/WHEEL	Spare Tire (ST235/80 R-16 LR-E)
TIRE/WHEEL	Tire Upgrade (ST235/85 R-16 LR-G)
TIRE/WHEEL	Spare Tire Upgrade (ST235/85 R-16 LR-G)
RAMPS	7' Slide In Ramps
POWER	Wireless Remote
POWER	5 Watt Solar Charger
BODY	24" Expanded Metal Side Extensions (14')
BODY	24" Expanded Metal Side Extensions (16')
BODY	3' Solid Sheet Metal Sides (14')
BODY	3' Solid Sheet Metal Sides (16')
BODY	4' Solid Sheet Metal Sides (14')
BODY	4' Solid Sheet Metal Sides (16')