

14ET Heavy Duty Tandem Axle Equipment

G.V.W.R.	14,000#	Axle	(2) 7,000# EZ Lube w/Electric Brakes
G.A.W.R. (Ea. Axle)	7,000#	Supension	Multi-Leaf Slipper Spring w/Equalizer
Coupler	Adjustable 2-5/16" 14,000# Cast	Tire	ST235/80 R-16 Load Range E
Safety Chains	3/8" Grd. 70 w/Safety Latch Hook (2 ea)	Wheel	16" x 6"; Heavy White Mod 8 Bolt
Jack	12,000# Drop Leg Jack-Side Wind	Floor	2" Treated Pine or Douglas Fir*
Tongue	6" Channel Fold Back/Wrap, 10" I-Beam on GN	Lights	L.E.D. D.O.T. Stop, Tail, Turn & Clearance
Front Stop Rail	2" Tubing	Elec. Plug	7-Way RV
Frame	6" Channel	Finish (Prep)	Steel is Cleaned to Ensure a Professional Smooth Finish.
Crossmembers	3" Channel on 16" Centers	Finish	Superior Quality Finish is Applied for a Highly Decorative and Protective Finish.
Uprights	None		
Fenders	9" x 72" Double Broke Diamond Plate w/ Back (Removable)		

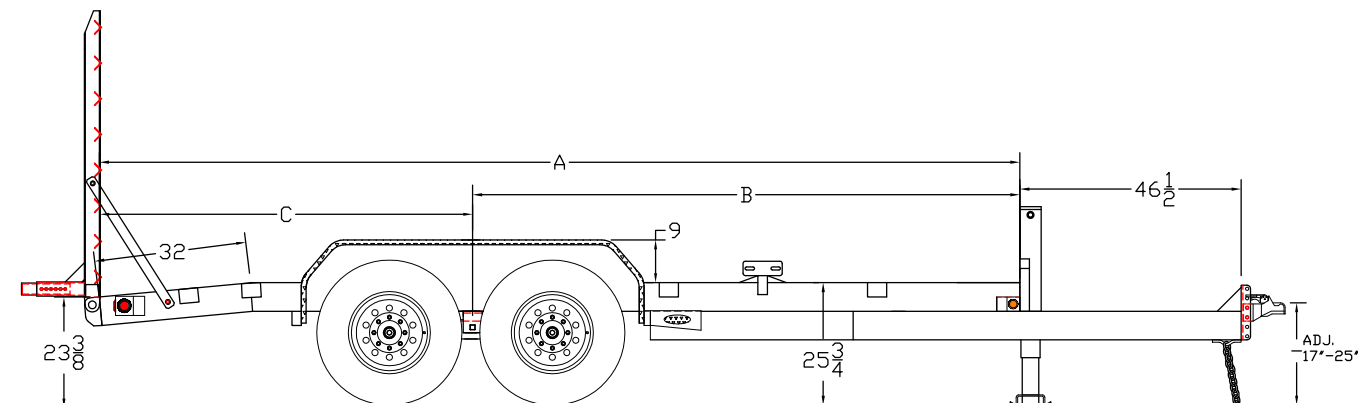
* Douglas Fir Available from Caldwell, ID Facility Only

Standard Features

- Rubrail and Tie Down Pockets Along Sides **NEW!**
- 32" Wood Filled Dovetail
- 5' Tall Channel Stand Up Ramps
- Adjustable 2-5/16" 14,000# Cast Coupler
- Fold Back/Wrap Tongue (14' & Longer)
- 12,000# Drop Leg Jack- Side Wind Against Bed
- 2" Tubular Stop Rail
- EZ Lube Hubs
- Dexter Brand Axles
- Nev-R-Adjust Electric Brakes on All Hubs
- Cambered Axles
- Double Broke Diamond Plate Fenders (Removable)
- Grommet Mount Sealed Lighting
- L.E.D. Lighting Package
- Sealed Modular Wiring Harness
- Spare Tire Mount (Front)
- Complete Break-A-Way System w/Charger
- Radial Tires

Description

Dimensions			
Length	A	B	C
16'	193-1/2"	115"	78-1/2"
18'	217-1/2"	127"	90-1/2"
20'	240"	138"	102"



14ET Heavy Duty Tandem Axle Equipment



Model	Weight*	Description
14ET-16	2,540#	83" x 16' Tandem Axle Equipment Trailer
14ET-18	2,740#	83" x 18' Tandem Axle Equipment Trailer
14ET-20	2,940#	83" x 20' Tandem Axle Equipment Trailer
14ET-20 GN	3,740#	83" x 20' Tandem Axle Equipment Trailer - Gooseneck
14ET-22 GN	3,940#	83" x 22' Tandem Axle Equipment Trailer - Gooseneck
14ET-24 GN	4,140#	83" x 24' Tandem Axle Equipment Trailer - Gooseneck

*Weights shown are for base models without options and are estimates only

Optional Equipment

Category	Description
COUPLERS	Adjustable Pintle in Channel in Lieu of Coupler
BRAKES	Hydraulic Surge Brakes 2 Axles w/Adjustable Demco Actuator
TIRE/WHEEL	Spare Tire (ST235/80 R-16 LR-E)
TIRE/WHEEL	Tire Upgrade (ST235/85 R-16 LR-G)
TIRE/WHEEL	Spare Tire Upgrade (ST235/85 R-16 LR-G)
RAMPS	4' Side Mount Slide In Ramps (Existing Dovetail)
RAMPS	5' Rear Slide In Ramps (Existing Dovetail)
RAMPS	5' Rear Slide In Ramps (Straight Deck w/ Stabilizers)
RAMPS	3' Self Cleaning Dovetail w/ 20" W, 3' Knee Ramps (Not Available on GN)
RAMPS	3' Self Cleaning Dovetail w/ 3' Mega Ramps (Not Available on GN)
BODY	1/8" Diamond Plate Steel Floor (Per Square Foot)
CARGO CONTROL	Recessed D-Ring in Floor (Steel Floor Only)
CARGO CONTROL	B40 5/8" D-Ring (Each)