

10ET Pro Series Tandem Axle Equipment ●

G.V.W.R.	9,990#	Axle	(2) 5,200# EZ Lube w/Electric Brakes
G.A.W.R. (Ea. Axle)	5,080#	Supension	Multi-Leaf Spring w/Equalizer
Coupler	Adjustable Forged 2-5/16"	Tire	ST225/75 R-15 Load Range D
Safety Chains	1/4" Grd. 70 w/Safety Latch Hook (2 ea)	Wheel	15" x 6"; White Spoke 6 Bolt
Jack	7,000# Drop Leg (Bolted On)	Floor	2" Treated Pine or Douglas Fir*
Tongue	5" Channel Fold Back/Wrap	Lights	L.E.D. D.O.T. Stop, Tail, Turn & Clearance
Bump Rail	Single-Piece Formed 2" Tubing	Elec. Plug	7-Way RV
Frame	5" Channel	Finish (Prep)	Steel is Cleaned to Ensure a Professional Smooth Finish.
Crossmembers	3" Channel		
Sides	None	Finish	Superior Quality Finish is Applied for a Highly Decorative and Protective Finish.
Fenders	9" x 72" Tear Drop w/Back (Removable)		

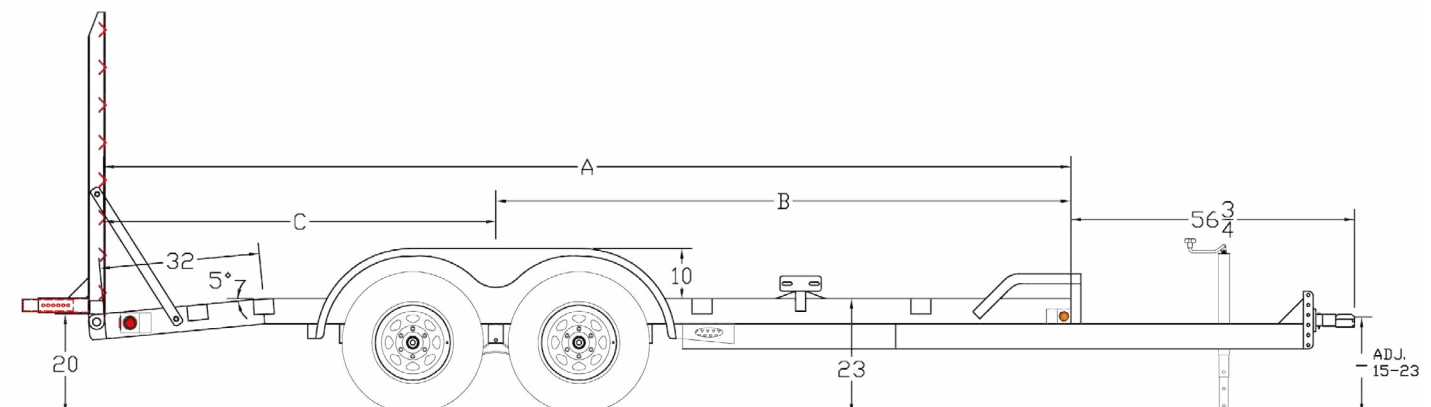
* Douglas Fir Available from Caldwell, ID Facility Only

Standard Features

- Rubrail and Tie Down Pockets Along Sides **NEW!**
- 32" Wood Filled Dovetail
- 5' Tall Channel Stand Up Ramps
- Forged Adjustable 2-5/16" Coupler
- Fold Back/Wrap Tongue
- Set-Back, 7,000# Drop Leg Jack
- 2" Formed Tubular Stop Rail
- EZ Lube Hubs
- Dexter Brand Axles
- Nev-R-Adjust Electric Brakes on All Hubs
- Cambered Axles
- Tear Drop Style Fenders (Removable)
- Grommet Mount Sealed Lighting
- L.E.D. Lighting Package
- Sealed Modular Wiring Harness
- Spare Tire Mount
- Complete Break-A-Way System w/Charger
- Radial Tires **NEW!**

Description

Dimensions			
Length	A	B	C
16'	193-1/2"	115"	78-1/2"
18'	217-1/2"	127"	90-1/2"
20'	240"	138"	102"



10ET Pro Series Tandem Axle Equipment ●



Model	Weight*	Description
10ET-16	2,320#	83" x 16' Pro Series Tandem Axle Equipment Trailer
10ET-18	2,420#	83" x 18' Pro Series Tandem Axle Equipment Trailer
10ET-20	2,520#	83" x 20' Pro Series Tandem Axle Equipment Trailer

*Weights shown are for base models without options and are estimates only

Optional Equipment

Category	Description
COUPLERS	Adjustable Pintle in Channel in Lieu of Coupler
JACKS	12,000# Drop Leg Jack - Top Wind
JACKS	12,000# Drop Leg Jack - Side Wind Against Bed
BRAKES	Hydraulic Surge Brakes 2 Axles w/Adjustable Demco Actuator
TIRE/WHEEL	Spare Tire (ST225/75 R-15 LR-D)
TIRE/WHEEL	Tire Upgrade (ST235/80 R-16 LR-E)
TIRE/WHEEL	Spare Tire Upgrade (ST235/80 R-16 LR-E)
RAMPS	4' Side Mount Slide In Ramps (Existing Dovetail)
RAMPS	5' Rear Slide In Ramps (Straight Deck w/ Stabilizers)
RAMPS	3' Self Cleaning Dovetail w/ 3' Knee Ramps (20" Wide)
RAMPS	3' Self Cleaning Dovetail w/ 3' Mega Ramps
BODY	1/8" Diamond Plate Steel Floor (Per Square Foot)
CARGO CONTROL	Recessed D-Ring in Floor (Steel Floor Only)
CARGO CONTROL	B40 5/8" D-Ring (Each)