

10DM Pro Series Diamond Back Car Hauler

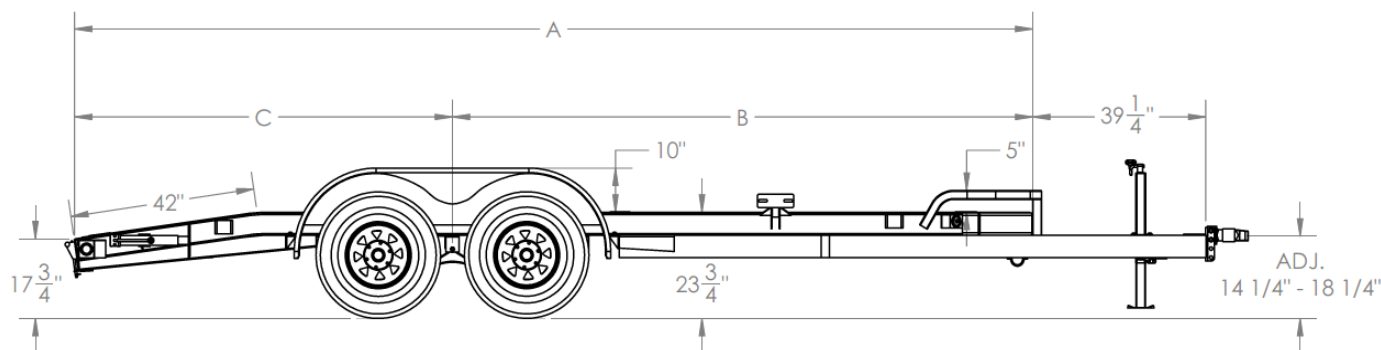
G.V.W.R.	9,990#	Axle	(2) 5,200# EZ Lube w/Electric Brakes
G.A.W.R. (Ea. Axle)	5,080#	Suspension	Multi-Leaf Spring w/Equalizer
Coupler	Adjustable Forged 2-5/16"	Tire	ST225/75R-15 Load Range D
Safety Chains	1/4" Grd. 70 w/Safety Latch Hook (2 each)	Wheel	15" x 6" White Spoke 6 Bolt
Jack	7K Drop Leg – Top Wind (Bolted On)	Floor	1/8" Diamond Plate
Tongue	5" Channel Fold Back/Wrap	Lights	L.E.D. D.O.T. Stop, Tail, Turn & Clearance
Front Stop Rail	Single-Piece Formed 2" Tubing	Elec. Plug	7-Way RV
Frame	5" x 2" x .188" Rectangular Tubing	Finish (Prep)	Steel is Cleaned to Ensure a Professional Smooth Finish.
Crossmembers	3" Channel	Finish	Superior Quality Finish is Applied for a Highly Decorative and Protective Finish.
Uprights	None		
Fenders	9" x 72" Tear Drop w/Back (Bolted On)		

Standard Features

- Tie Down Pockets Along Sides & Front
- Adjustable, 2 5/16" Forged Coupler
- Fold Back/Wrap Tongue
- 7,000# Drop Leg Jack - Top Wind
- EZ Lube Hubs
- Dexter Brand Axles
- Nev-R-Adjust Electric Brakes
- Cambered Axles
- Chamfered Front w/ Formed 2" Stop Rail
- 1/8" Diamond Plate Floor w/ (4) Recessed D-Rings
- Dovetail
- 5' Rear Slide-In Channel Ramps
- Rear Stabilizers
- Removable Tear Drop Style Fenders
- Grommet Mount Sealed Lighting
- L.E.D. Lighting Package
- Protected Wiring
- Complete Break-A-Way System w/Charger
- Spare Tire Mount- Standard Equipped
- Radial Tires

Description

Dimensions			
Length	A	B	C
18'	218"	132"	86"
20'	240"	150"	90"
22'	264"	156"	108"



10DM Pro Series Diamond Back Car Hauler ●



Model	Weight*	Description
10DM-18	2,480#	83" x 18' Pro Series Tandem Axle Premium Car Hauler
10DM-20	2,630#	83" x 20' Pro Series Tandem Axle Premium Car Hauler
10DM-22	2,790#	83" x 22' Pro Series Tandem Axle Premium Car Hauler

*Weights shown are for base models without options and are estimates only

Optional Equipment

Category	Description
COUPLERS	Adjustable Pintle in Channel in Lieu of Coupler
JACKS	12,000# Drop Leg Jack - Top Wind
JACKS	12,000# Drop Leg Jack - Side Wind Against Bed
BRAKES	Hydraulic Surge Brakes 2 Axles w/Adjustable Demco Actuator
TIRE/WHEEL	Spare Tire (ST225/75 R-15 LR-D)
TIRE/WHEEL	Tire Upgrade (ST235/80 R-16 LR-E)
TIRE/WHEEL	Spare Tire Upgrade (ST235/80 R-16 LR-E)
BODY	Front Rockshield (Steel)
BODY	Front Rockshield (Aluminum Tread Brite)
CARGO CONTROL	A-Frame Tongue Box (Steel)
CARGO CONTROL	A-Frame Tongue Box (Aluminum Tread Brite)
CARGO CONTROL	Additional Recessed D-Rings in Floor